


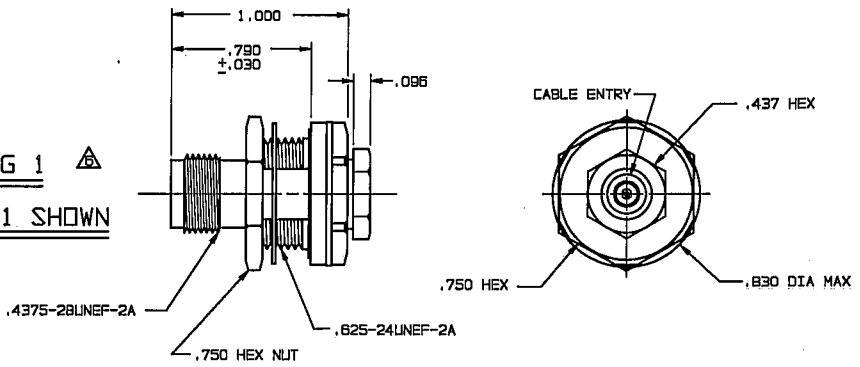
RED INDICATES ORIGINAL

DWG SIZE: **C**
 DATA CONTAINED IN THIS DOCUMENT IS PROPRIETARY TO TROMPETER ELECTRONICS, INC. AND SHALL NOT BE DISCLOSED, COPIED OR USED FOR PROCUREMENT OF MANUFACTURE WITHOUT EXPRESS WRITTEN PERMISSION.

REVISIONS			1-0448		SH 1
REV	ED	DESCRIPTION	DWN	APPROVED	DATE
H	10958	.830 DIA WAS .810 DIA; GENERAL UPDATE; SEE ECO	DKC	Bmj, FB	1/1/95

DASH NO	FIG	CABLES ACCOMMODATED	ASSEMBLE PER
-1		RG-58	
-U1		ESSEX 621-715	
-2		RG-59	
-U2			
-2A		BELDEN 8278	
-U2A			
-2B		W.E.CO. 730A	
-U2B			
-3		RG-223	
-U3			
-3A		RG-55	
-U3A			
-4		RG-122	
-U4		BELDEN 8218	
-5		RG-174	
-U5		RG-187	
-5A	1,3	RG-196	TAI-101
-U5A			
-5B		HEWLETT-PACKARD 8120-1107	
-U5B			
-21		RG-303	
-U21			
-22		RG-180	
-U22			
-31		GRUMMAN GC875GP1	
-U31		RG-187 DBL SHLD	
-34		BELDEN 8228	
-U34			
-3B		275-3891 MICRODOT	
-U3B		618-569 AMPEX	
-41		RG-304, BELDEN 9248, 8284, 8988	
-U41			
-44		BRAND-REX 8749	
-U44		GORE CDCC032	
-53		89555 BELDEN	
-U53			
-63		734A, AT&T	
-U63			
-086	2	RG-405	TAI-130
-U086			
-141		RG-402	
-U141			

FIG 1 
 - 1 SHOWN



INCH	MM
.005	0.13
.030	0.76
.096	2.44
.125	3.18
.187	4.75
.250	6.35
.281	7.14
.284	7.21
.312	7.92
.437	11.10
.630	16.00
.635	16.13
.750	19.05
.790	20.07
.830	21.08
1.000	24.40
1.408	35.71
1.846	46.88

FIG 2
 - 086 SHOWN

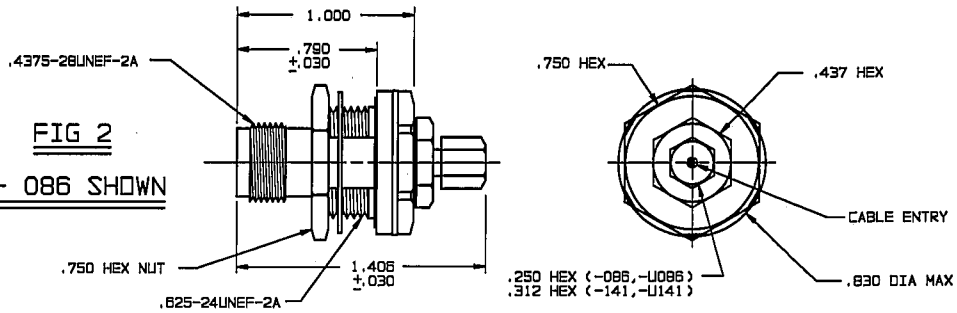

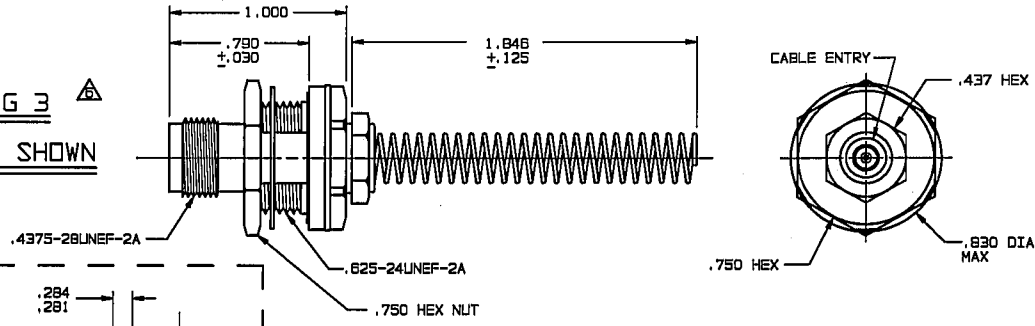

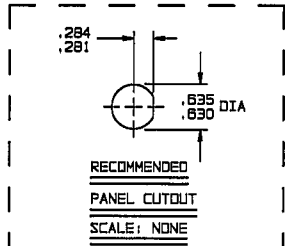


FIG 3 
 - 1 SHOWN



-  IF BEND RELIEF SPRING REQUIRED (FIG 3) ADD SUFFIX "BR" TO MODEL NO (NOT AVAILABLE WITH CABLE GROUPS -63, -U63, -086, -U086, -141 & -U141)
- FEMALE TYPE TNC COAXIAL INSULATED BULKHEAD JACKS BOTH 50 & 75 OHM VERSIONS
 - MAX PANEL THK .187
 - DASH NO DENOTES CABLE GROUP EXCEPT "U" PREFIX DENOTES 75 OHM VERSION
 - FINISH: TFS-1A (NICKEL)
 - ALL DIM ARE IN INCHES



QTY	DESCRIPTION	PART NUMBER	ITEM
TDL UNLESS SPECIFIED			
.XX ±			
.XXX ± .005			
.XXXX ±			
ANGLES			
105-00717			
105-0823	DWN DKC 11-30-84	TROMPETER ELECTRONICS, INC.	BJ46/UBJ46
105-1016	CHK <i>Bmj</i> 1-5-95		BJ46BR/UBJ46BR
105-0552	ENGR	MATERIAL	CODE IDENT
NEXT ASSY	APPR <i>FD</i> 1/5/95	14949	DRAWING NO. 1-0448
		SCALE 2/1	DATE 1/17/78 SHEET 1 OF 2